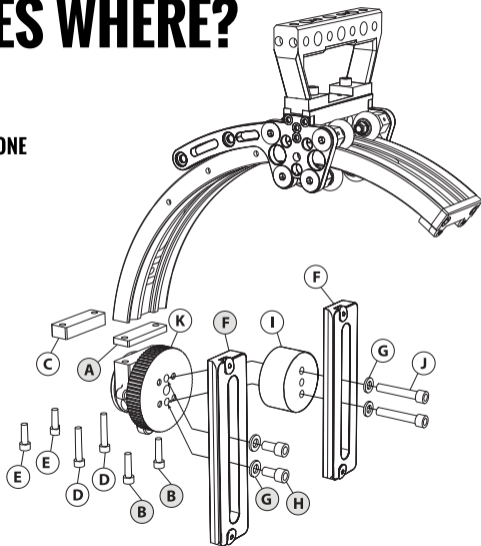


CAMERA WEIGHT DISTRIBUTION OFFSETS: WHAT GOES WHERE?

INCLUDED IN THE GRAVITY ONE

- A. 1x 5mm Tilt extension spacer
- B. 2x Stainless steel M5 H25mm Socket Head Cap Screws
- C. 1x 10mm Tilt extension spacer
- D. 2x Stainless steel M5 H30mm Socket Head Cap Screws
- E. 2x Stainless steel M5 H20mm Socket Head Cap Screws
- F. 1x Gravity One dove tail
- G. 2x Stainless steel washer M6
- H. 2x M6 H12mm Socked head
- I. 1x Roll extension spacer
- J. 2x M6 H35mm Socked head
- K. 1x Pulley



The default configuration of the Gravity One is for camera weights between 6-12 Kg.

This consists of the 5mm Tilt extension spacer (A) with M5 screws (B), and the dove tail (F), attached directly to the pulley (K) with M6 washers (G) and M6 screws (H).

For camera setups between 4.5-6 Kg its recommended to replace (A) and (B) with the 10mm Tilt extension spacer (C) and the two 30mm M5 screws (D).

For heavier camera setups above 12 Kg, you can remove the tilt extension spacer completely (A) or (C), and just use the two short 20mm M5 screws (E).

For cameras that can only be attached to a top handle, or lighter camera setups that don't allow for a good side to side weight distribution, please remove the dove tail (F) with the short M6 screws (H), and place the roll spacer (I) between the pulley (K) and the dove tail (F) and secure this with the two M6 washers (G) and the longer M6 35mm screws (J).